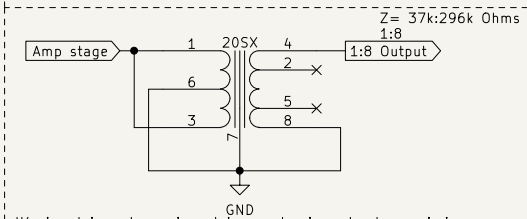
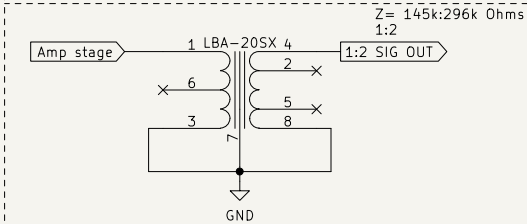
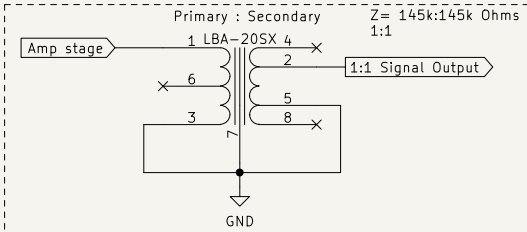
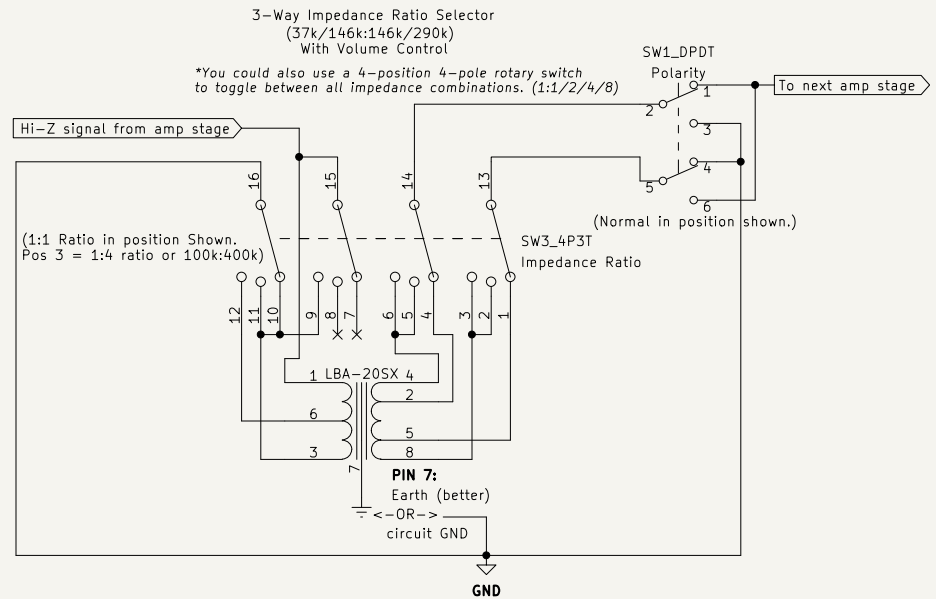
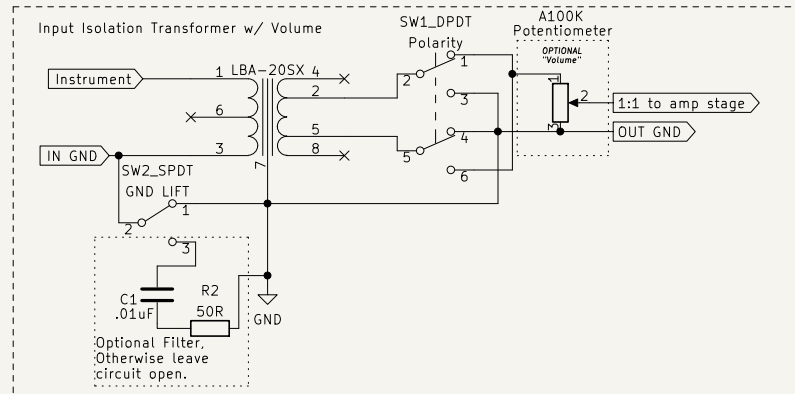
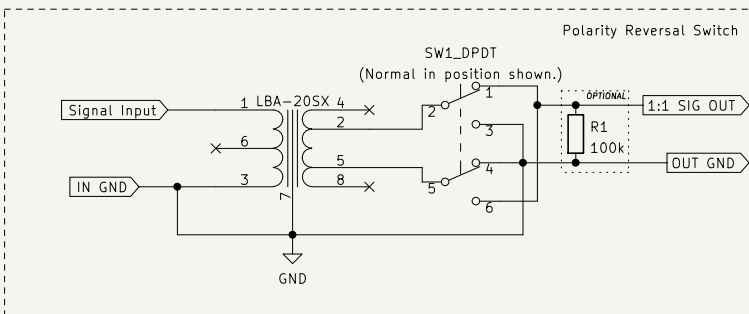
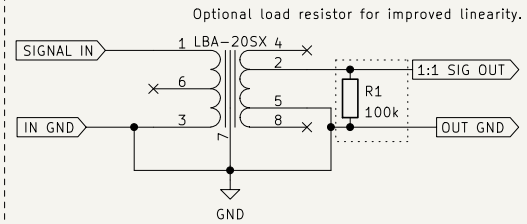


LIGHTNING BOY AUDIO 20SX HI-Z audio transformer



It's input impedance is cut in quarter in order to maximize the step-up ratio. This may or may not kick ass, depending on the source impedance and your tonal preferences.



NOTES: *Pin 1 is indicated on the top of the transformer by a black dot.
*Pin 7 is connected to the faraday shield and the outer shielding can. Connect Pin 7 to ground.
*The 20SX can be wired in reverse to create a step-down transformer.

Sheet: /
File: 20SX.kicad_sch

Title: LBA-20SX wiring guide

Drawings by Mike Congilosi II

Size: A Date: 10/2022
KiCad E.D.A. kicad (6.0.1)

Rev: D
Id: 1/1