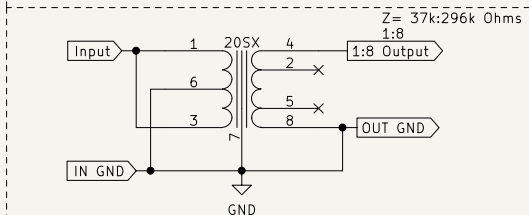
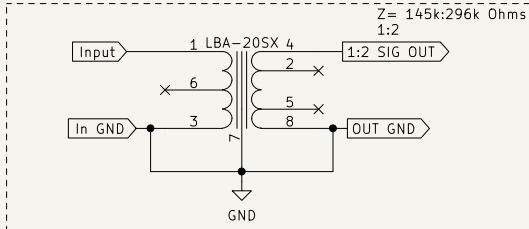
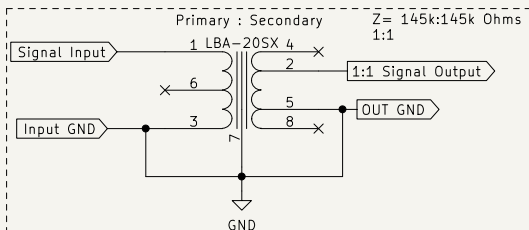
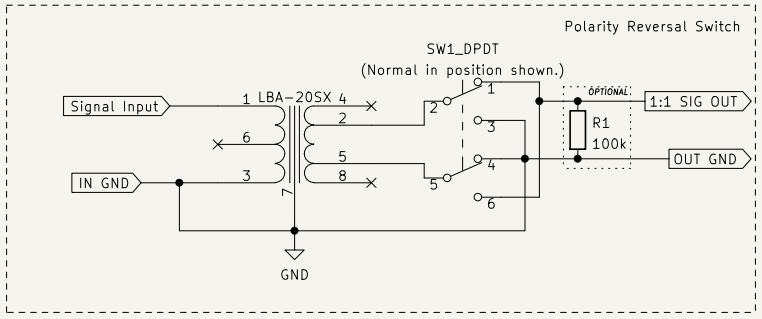
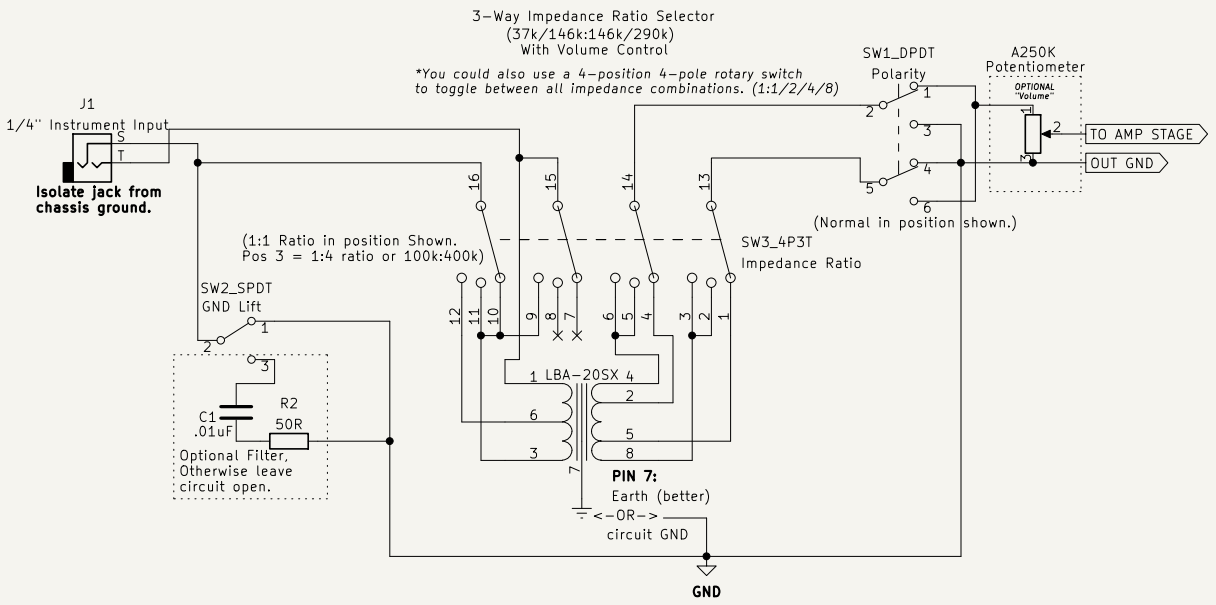
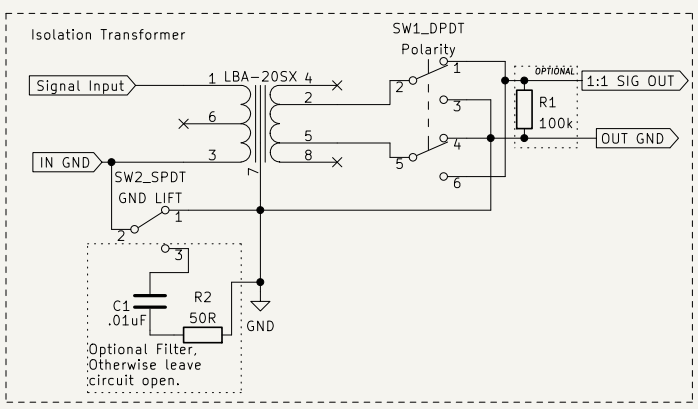
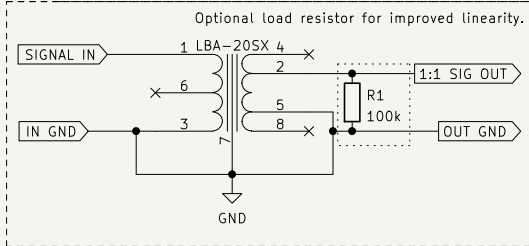


LIGHTNING BOY AUDIO 20SX Hi-Z audio input transformer



It's input impedance is cut in quarter in order to maximize the step-up ratio. This may or may not kick ass, depending on the source impedance and your tonal preferences.



- NOTES:**
- *Pin 1 is indicated on the top of the transformer by a black dot.
 - *Pin 7 is connected to the faraday shield and the outer shielding can. Connect Pin 7 to ground.
 - *The 20SX can be wired in reverse to create a step-down transformer. This might be useful for driving a long length of wire or for input stages that work better with lower source impedances.

Sheet: /		File: 20SX.kicad_sch	
Title: LBA-20SX wiring guide		Drawings by Mike Congilosi II	
Size: A	Date: 10/2022	Rev: C	
KiCad E.D.A. kicad (6.0.1)		Id: 1/1	